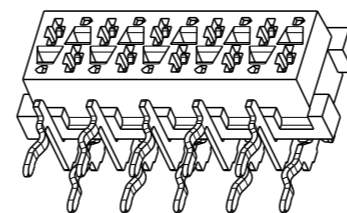
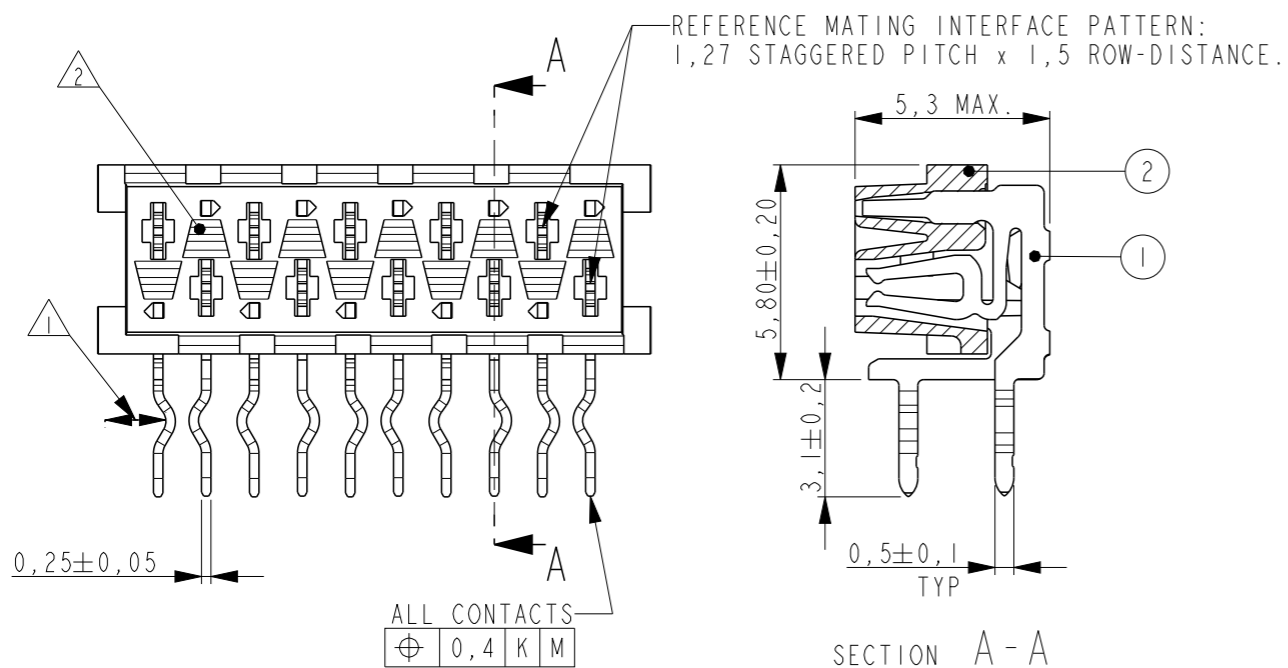


THIS DRAWING IS UNPUBLISHED. RELEASED FOR PUBLICATION 20
COPYRIGHT 20 BY - ALL RIGHTS RESERVED.

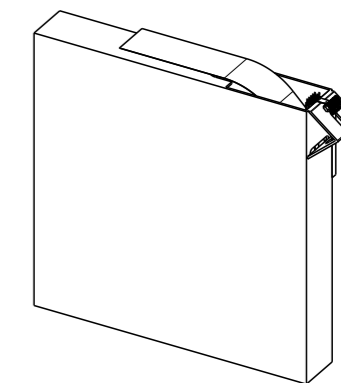
REVISIONS

P	LTR	DESCRIPTION	DATE	DWN	APVD
	J	Adhesive tape width changed from 6 mm to 9 mm	21NOV2014	NV	PS



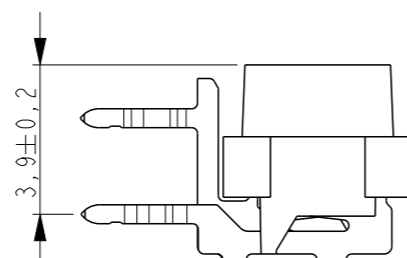
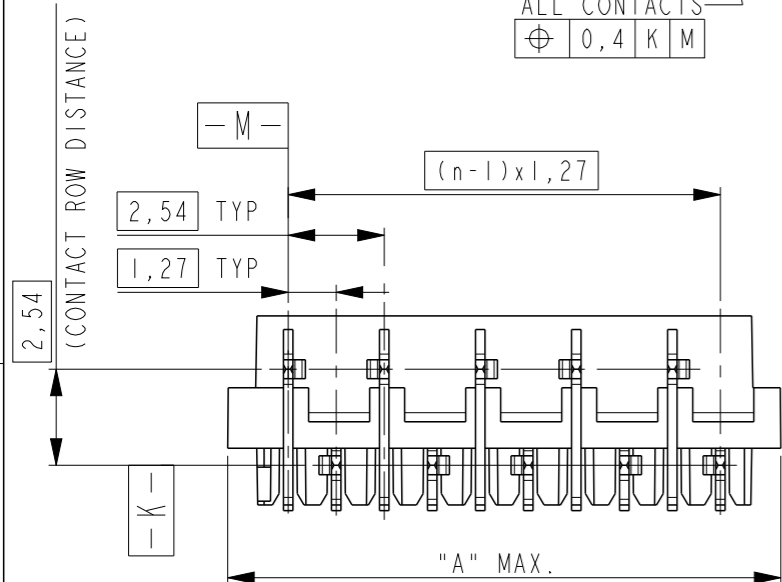
SCALE 3:1

PART NUMBER BOX PACKAGING	PART NUMBER REEL PACKAGING	NR OF POS "n"	"A" MAX
7-100400-4	0-100400-4	4	7.1
7-100400-6	0-100400-6	6	9.7
7-100400-8	0-100400-8	8	12.2
8-100400-0	1-100400-0	10	14.7
8-100400-2	1-100400-2	12	17.3
8-100400-4	1-100400-4	14	19.8
8-100400-6	1-100400-6	16	22.4
8-100400-8	1-100400-8	18	24.9
9-100400-0	2-100400-0	20	27.4



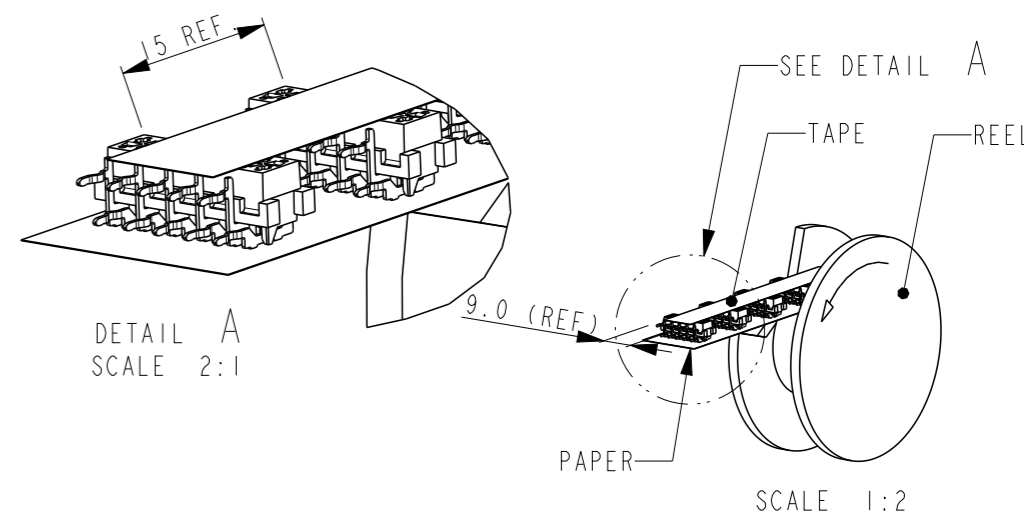
SCALE 1:5

BOX PACKAGING:
250 CONNECTORS PER BOX
FOR ALL PARTNUMBERS



NOTES:

- 1 IN EACH ROW, DIRECTION OF KINKS STARTS RANDOM. IN EACH ROW, SEQUENTIAL CONTACTS HAVE OPPOSITE KINK DIRECTIONS.
- 2 CORING-OUTS FOR MANUFACTURING PURPOSE ONLY. SHAPE MAY VARY, BUT IS NOT FUNCTIONAL FOR THE APPLICATION.
- 3 SHOWN IS A 10 POSITION CONNECTOR.
- 4 THIS AREA IS RESERVED FOR CONTACTS.



DETAIL A
SCALE 2:1

SCALE 1:2

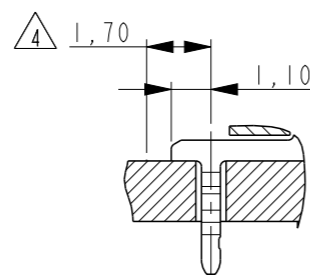
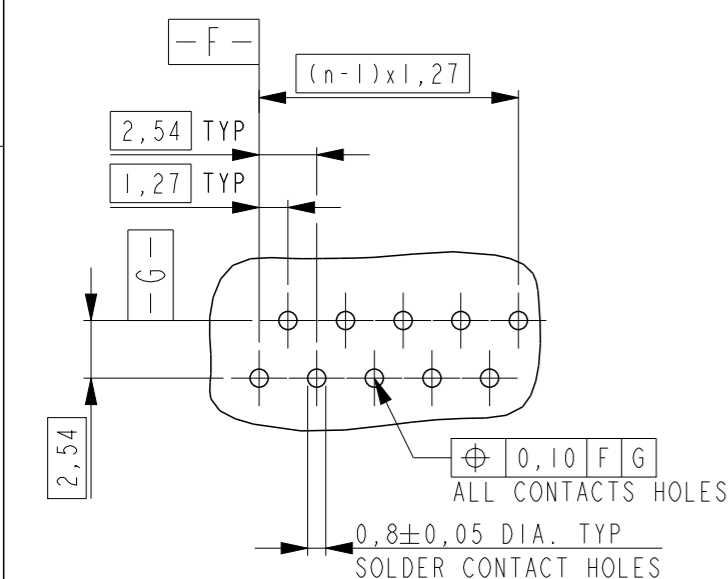
REEL PACKAGING
DEREELING DIRECTION AND CONNECTOR POSITION.
QUANTITY 2500 CONNECTORS PER REEL FOR ALL PARTNUMBERS,

2	HOUSING	G.F. POLYESTER PBT	RED
1	FEMALE CONTACT	PHOSPHOR BRONZE	TIN OVER NICKEL
ITEM NO.	DESCRIPTION	MATERIAL	FINISH / COLOR

DWN	29OCT1991
J.V. DREUMEL	
CHK	29OCT1991
H. KOKKEN	
APVD	-
PRODUCT SPEC	108-19052
APPLICATION SPEC	-
WEIGHT	-

STE TE Connectivity	
NAME CONNECTOR, FEMALE-ON-BOARD SIDE-ENTRY, THRU-HOLE, W/O POLARIZATION, Micro-MatCh	
SIZE	A3
CAGE CODE	00779
DRAWING NO	C=100400
RESTRICTED TO	-

PC-BOARD HOLE LAYOUT
(COMPONENT SIDE OF BOARD SHOWN)



THIS DRAWING IS A CONTROLLED DOCUMENT.

DIMENSIONS: mm	TOLERANCES UNLESS OTHERWISE SPECIFIED:
	0 PLC ±-
	1 PLC ±-
	2 PLC ±-
	3 PLC ±-
	4 PLC ±-
	ANGLES ±°
MATERIAL SEE TABLE	FINISH SEE TABLE